



## HV110 SANITARY VENT

The sanitary vent provides a means to release sewage gases to the exterior of the structure or outdoors through the roof. Flow of air is the primary consideration in the design of a sanitary venting system for discharge from sanitary fixtures or appliances. The greatest benefit of our vent is that it is completely integrated into the roofing system, meaning complete weather-tightness peace of mind.

The Tilcor HV110 Sanitary Vent is part of our High Performance Roofing Systems. This sanitary vent is designed to match the roof profiles and to remove the unsightly appearance and the risks associated with traditional pipe penetrations. The unique design of our roofing system means no penetration cut on the roof and no need for ancillary trades to get up on the roof after the roofer has completed the install.

It requires no further flashing, and is installed by a qualified roofer who is trained to install the weather-tight roofing system.

### Unique Design

- Integrated with the Tilcor roof profiles
- Coated in the same colour as the Zinalume satin or stone-chip textured profile
- Built in protective grille to keep out debris, birds, leaves and rodents
- No more white pipes through your beautiful new roof

### Superior Performance

- No penetration cut in the roof like traditional pipe vents
- No reliance on after-market over flashings, and for a silicone layer to last for years
- Installed by a qualified roofer, no need for ancillary trades to get up on the roof
- Matching flexi pipe left for the plumber to connect to in the roof space
- Integrated underlay flashing available to ensure the weather-tight integrity of the roofing system



# HV110 SANITARY VENT

## Easy Installation

Install easily into the roof, because the vent has been moulded to match in with the Tilcor tile profiles. There is no need for roof surface preparation, the need to fit special flashings, or mould flexible flashings by hand to fit the shape of the roof profile.

## Specifications

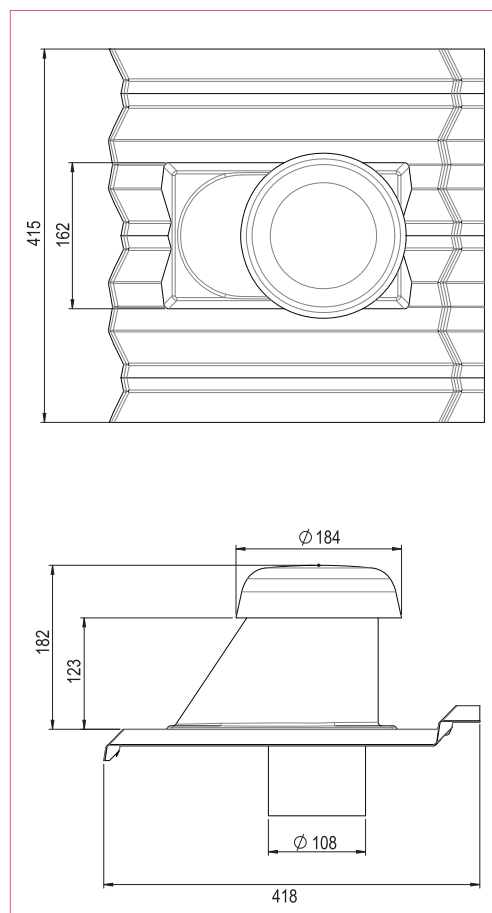
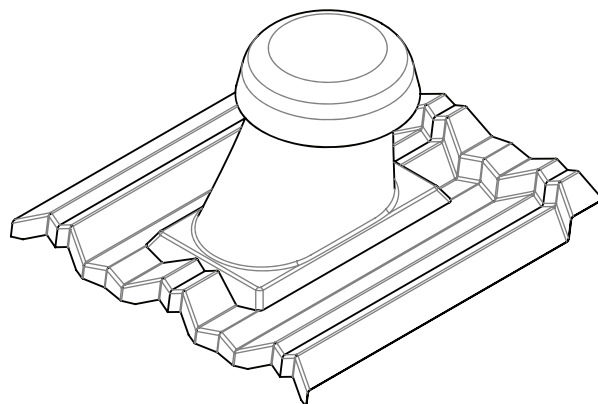
Material	High Impact Polystyrene
Pipe fixed	Ø110mm – Flexi Pipe adaptor to fit 80mm available
Roof Pitch	15°-45°
Effective Space	9,000 mm <sup>2</sup> ventilation area
Weight	1.5kg

## Products & Accessories

Part Number	Description	Image
<b>HV110SHAKE</b>	HV110 sanitary Vent to fit Tilcor Shake or Royal roof profile	
<b>HV110CLASS</b>	HV110 sanitary Vent to fit Tilcor Classic roof profile	
<b>HV110TUDOR</b>	HV110 sanitary Vent to fit Tilcor Tudor roof profile	
<b>FLEXIPI110</b>	110mm Flexi pipe to fit HV110 Sanitary vent. Has 80mm connector for the plumber to connect into	
<b>PENSLE110</b>	110mm Underlay Penetration flashing sleeve to fit around the 110mm Flexi pipe, and adhere down onto the underlay	

## Dimensions

HV110 Classic Sanitary Vent



*Roofmakers to the world*



1C Inlet Road, Takanini 2112; PO Box 72062 Papakura 2244, Auckland, New Zealand  
**P:** +64 9 299 9498 **F:** +64 9 298 4114 **E:** info@tilcor.com [www.tilcor.com](http://www.tilcor.com)

