

# HV110 Tudor Sanitary Vent

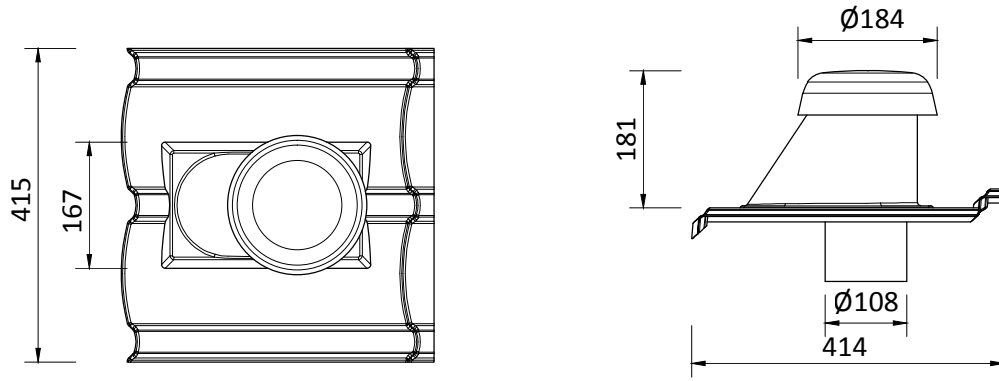


Figure 1.1 Vent Dimensions

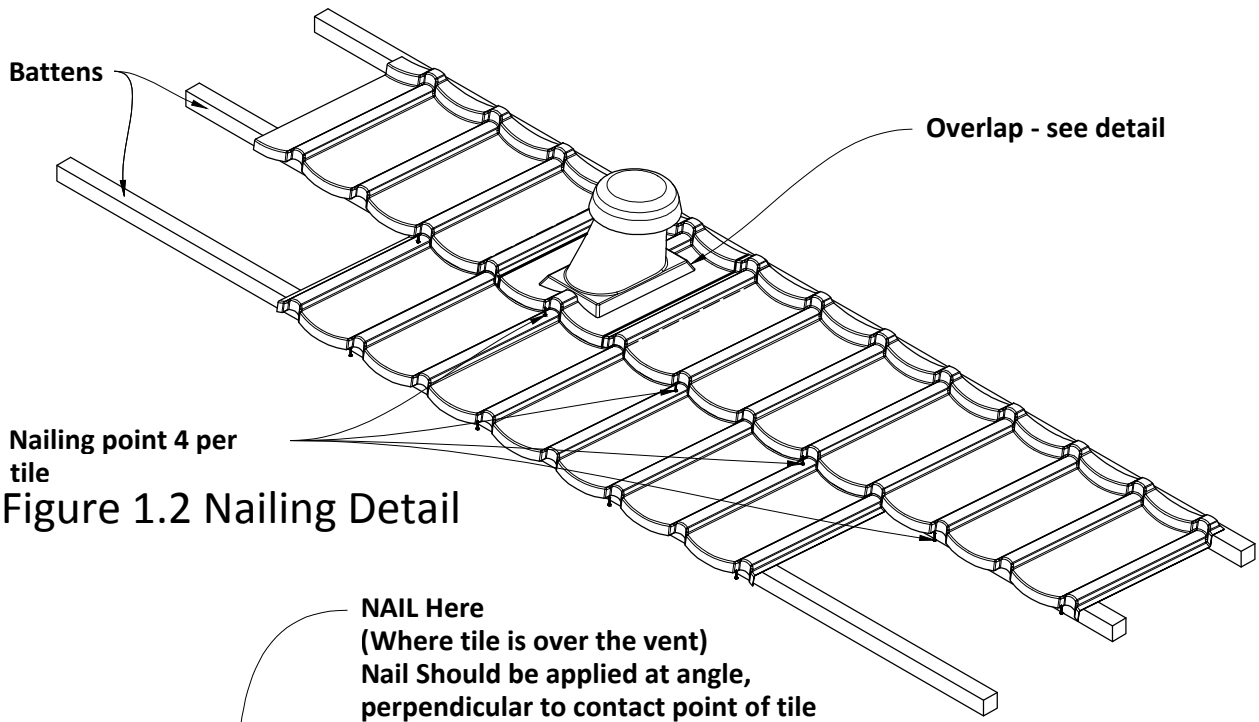


Figure 1.2 Nailing Detail

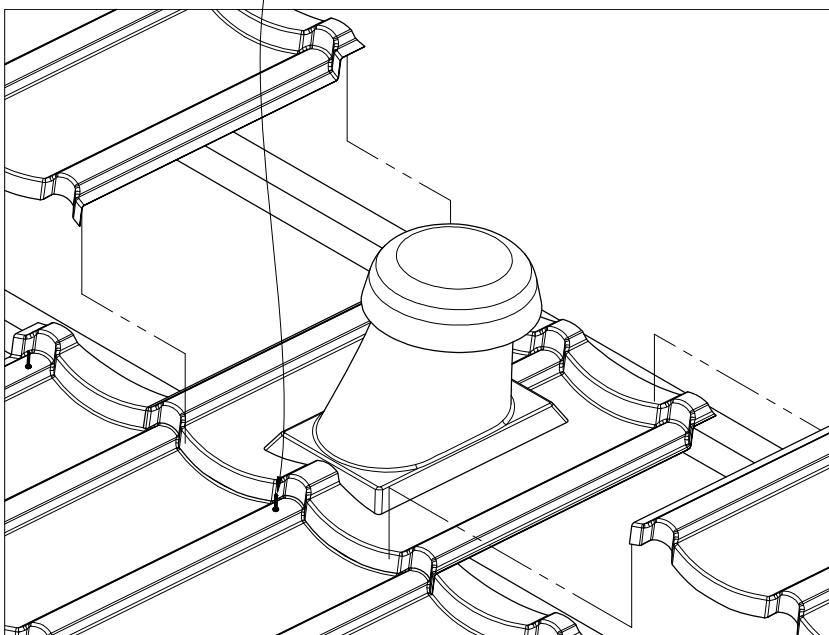


Figure 1.3 Overlap Detail

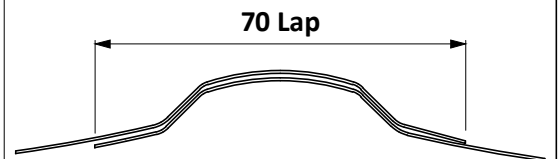


Figure 1.4 Lap Section

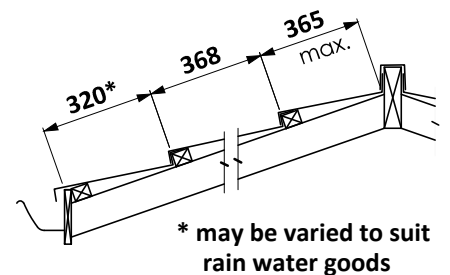


Figure 1.5 Batten Layout